

Dual Stage Regulators / Zweistufige Druckminderer VSR-11EHP Series

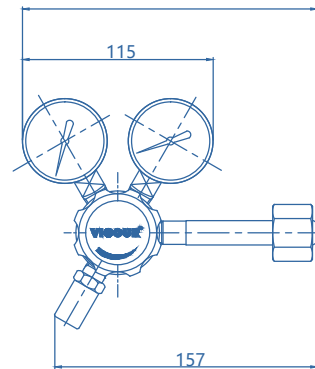
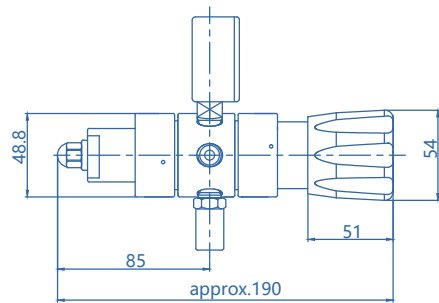
Product Features

- Dual stage pressure regulator
- Brass chrome plated body and bonnet for non-corrosive gases and mixtures up to grade 6.0
- Stainless steel 316L body and bonnet for corrosive gases
- Simple outlet pressure limitation by handwheel
- Inlet filter
- Stable outlet pressure
- Tested for use with oxygen

Typical Applications

- Component Testing
- Calibration Systems
- Laboratory Pressure Control
- High Pressure Sampling Systems
- Service & Test Equipment

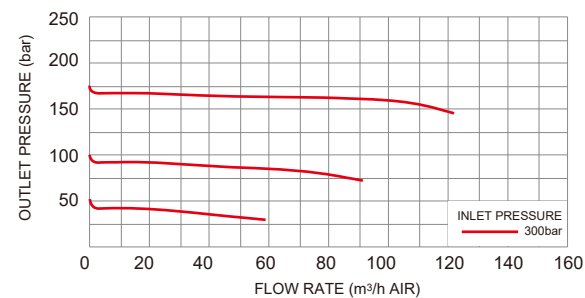
Dimensions (mm)



Technical Data

Type	Dual-stage
Inlet pressure P ₁	max. 300 bar
Outlet pressure P ₂	50/100/200 bar
Materials	
Body regulator, relief valve:	see ordering info
Valve seat:	Teflon® (PCTFE)
Diaphragm:	Hastelloy® C276
Filter:	SS 316L
Inlets and Outlets:	1/4" NPT(F)
Temperature range:	-30°C to +74°C
Leak rate (to atmosphere) (via seat)	1x10 ⁻⁸ mbar l/s He 1x10 ⁻⁶ mbar l/s He
Flow capacity:	Cv=0.15
Weight:	2.10 kg

Flow Chart



Dual Stage Regulators / Zweistufige Druckminderer VSR-11EHP Series

Ordering Information



Inlets / Outlets

DIN: Germany	NF: French	11: 1/4" Tube fitting	R: Relief valve
CGA: USA	JIS: Japan	12: 3/8" Tube fitting	B: Plug
BSP: British	00: 1/4"NPT(F)	15: 6mm Tube fitting	
GB: China	01: 1/4"NPT(M)	16: 8mm Tube fitting	
UNI: Italy	10: 1/8" Tube fitting	P: Gauge(Psig/bar)	

* Other connection standard, consult factory.

Port Selection

VSR - 11EHP S - 200 - 10 - 1 - 2 - 3 - 4 - 5 - B - N₂

Body Material

- S: 316L
- C: Chrome Plated Brass

Outlet Pressure P₂

- 50: to 50 bar
- 100: to 100 bar
- 200: to 200 bar

Type Of Gas

Please specify type of gas

Inlet Pressure P₁

- 100: 100 bar
- 200: 200 bar
- 300: 300 bar

Ordering Example

Example: VSR - 11EHP C - 200 - 10 - 00 - P - P - 00 - B - B - N₂

1 - 2 - 3 - 4 - 5



* For mixed gases, please specify cylinder connection standard and thread when ordering.