

## Tapping Points / Entnahmestellen VSR-1ET Series

### Product Features

- Wall-mounting tapping points
- VSR-1EL series single-stage regulator
- Brass chrome plated body and bonnet for non-corrosive gases and mixtures up to grade 6.0
- Stainless steel 316L body and bonnet for corrosive gases
- Modular design
- Diaphragm type shut-off valves
- Suitable for inlet pressure up to 100 bar
- Tested for use with oxygen

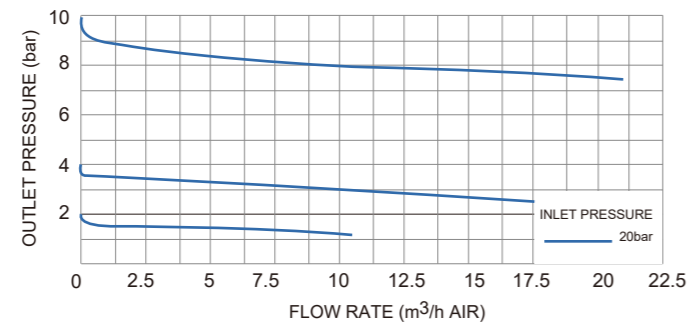
### Typical Applications

- Component Testing
- Calibration Systems
- Laboratory Pressure Control
- High Pressure Sampling Systems
- Service & Test Equipment

### Technical Data

Type:	single-stage
Inlet pressure P <sub>1</sub> :	max. 100 bar
Outlet pressure P <sub>2</sub> :	2/4/10/20/50 bar
Materials:	
Body regulator and valves:	see ordering info
Valve seat (regulator):	Teflon® (PCTFE)
(shut-off valve):	PEEK
Diaphragm(regulator):	Hastelloy® C276
(valve):	Hastelloy® C276
Filter:	SS 316L
Temperature range:	-30°C to +74°C
Leak rate (to atmosphere):	1x10 <sup>-8</sup> mbar l/s He
(via seat):	1x10 <sup>-6</sup> mbar l/s He
Flow capacity:	Cv=0.07
Weight:	2.5 kg

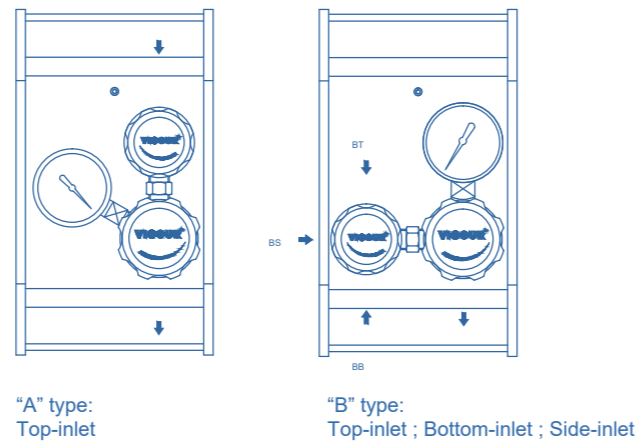
### Flow Chart



"A" type

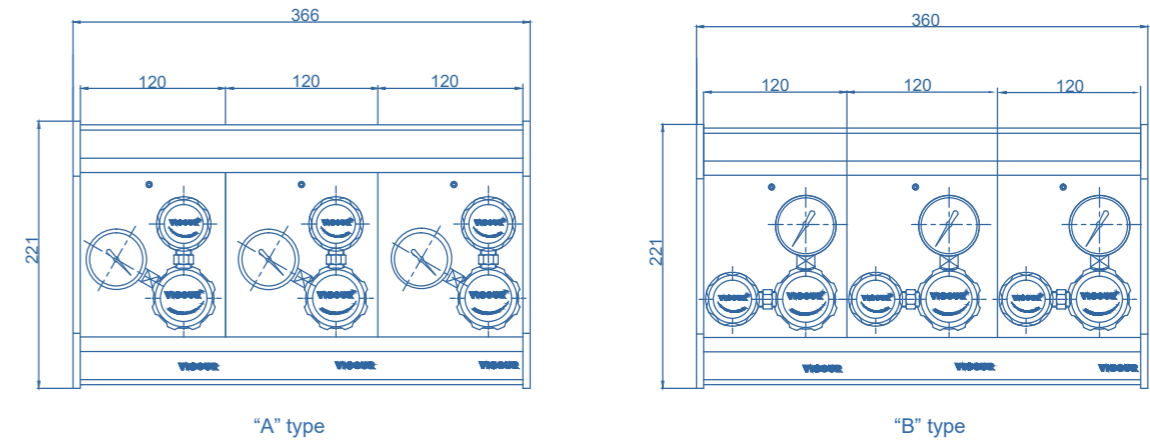
"B" type

### Schematic Drawing



## Tapping Points / Entnahmestellen VSR-1ET Series

### Dimensions (mm)



### Ordering Information:

<b>VSR - 1ETS - 100 - 10 - AT - N<sub>2</sub> - H</b>	
<b>Body Material</b>	<b>Option</b>
S: 316L	H: Level handle
C: Chrome Plated Brass	<b>Gas Type</b>
	Please specify gas type
<b>Inlet Pressure P<sub>1</sub></b>	<b>Inlet Type</b>
40: 40 bar	AT: "A" Type Top-inlet
100: 100 bar	BT: "B" Type Top-inlet
	BB: "B" Type Bottom-inlet
<b>Outlet Pressure P<sub>2</sub></b>	BS: "B" Type Side-inlet
2: to 2 bar	
4: to 4 bar	
10: to 10 bar	
20: to 20 bar	
50: to 50 bar	