

IGS Check Valves VICV1 Series

Product Features

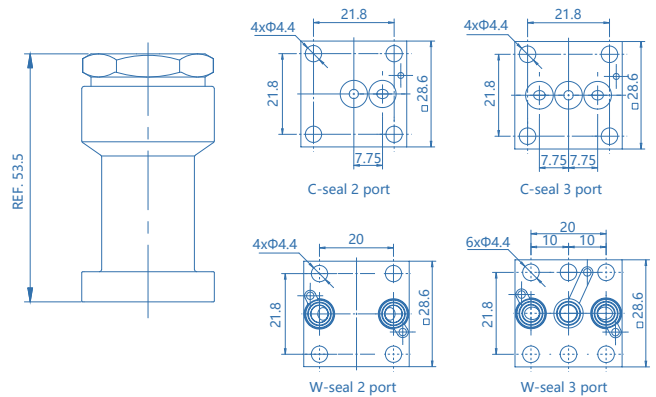
- W-seal and C-seal optional
- The wet surface is treated with EP, Max. 5µin. Ra.
- Material: 316L VIM-VAR
- 100% Helium-leak-tested



Technical Data

Max. Working Pressure:	150 psig
Max. Working Temp:	14°F~176°F(-10°C~80°C)
Surface Finish:	Max. 5µin. Ra
Cracking Pressure:	0.33 psig
Materials	
Body:	see ordering info
Leak Rate: (Internal)	1x10 ⁻⁹ mbar l/s He
(External)	1x10 ⁻⁹ mbar l/s He
Flow Capacity:	Cv=0.2

Dimensions (mm)



Ordering Information

VICV1 - 2P - C 11 - FF

