

## IGS Pressure Regulators VIR Series

### Product Features

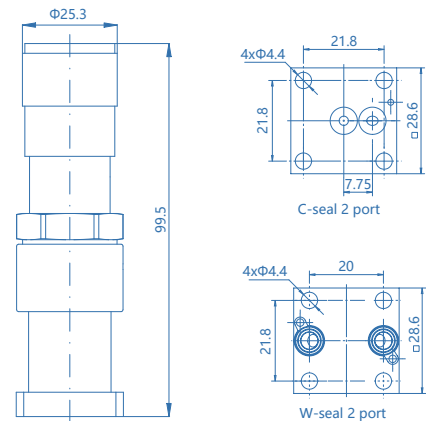
- Metal-to-metal seal to atmosphere
- W-seal and C-seal optional
- The surface finish: Max. 5µin. Ra
- Material: 316L VIM-VAR
- 100% Helium-leak-tested



### Technical Data

|                            |                                |
|----------------------------|--------------------------------|
| Max. Working Pressure:     | 150 psig                       |
| Max. Working Temp:         | -40°F~140°F(-40°C~60°C)        |
| Outlet Pressure:           | 0~100 psig                     |
| Surface Finish:            | Max. 5 µin. Ra                 |
| <b>Materials</b>           |                                |
| Body:                      | 316L VIM-VAR                   |
| Valve Seat:                | PCTFE (PFA / Vespel® optional) |
| Diaphragm:                 | Hastelloy® C276                |
| Leak Rate: (to atmosphere) | 1x10 <sup>-9</sup> mbar l/s He |
| (via seat)                 | 1x10 <sup>-8</sup> mbar l/s He |
| Flow Capacity:             | Cv=0.06 (Cv=0.1 optional)      |

### Dimensions (mm)



### Ordering Information

**VIR - 10 - 2 - 2P - C 11 - HF - VS**

