

# Ultra High Purity Purging Block VDV48UB Series

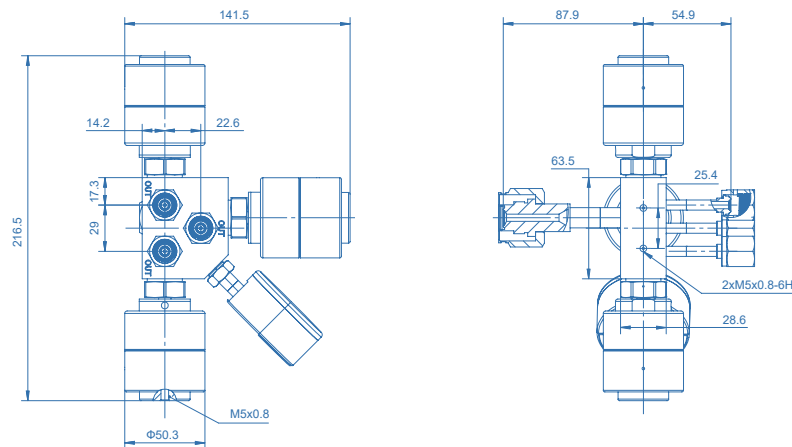
VIGOUR

## Product Feature

- Continuous gas purity during cylinder changeover
- Easy to operate (manual/pneumatic operation available)
- Process gas is isolated from the atmosphere
- Compact design
- No dead spaces inside
- Suitable for ultra-high purity gases



## Dimensions (mm)

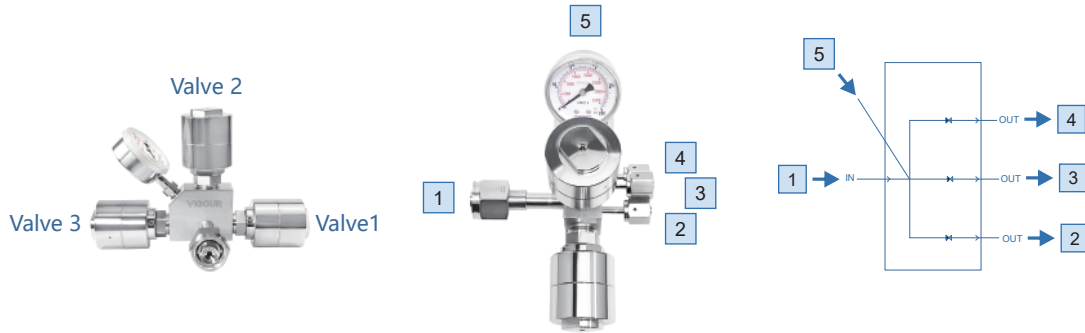


## Technical Data

Max. Working Pressure:	3000 psig (200 bar)
Actuation Pressure:	70~110psig (5~8bar)
Max. Working Temp.:	40°F ~ 160°F (-40°C ~ 71°C)
Surface finish:	10µin. Ra
Materials	
Body:	see ordering info
Diaphragm:	Elgiloy®
Seat packing:	PCTFE
Handle:	AL
Internal Leakage Allowance:	<1x10 <sup>-9</sup> mbar l/s He
External Leakage Allowance:	<1x10 <sup>-9</sup> mbar l/s He
Flow capacity:	Cv=0.1
Weight:	approx. 2.9kg (depending on connections or options)



### Ordering information



#### Inlet/Outlet Connection

- MV4: 1/4" VFS male
- FV4: 1/4" VFS female
- TW4: 1/4" tube weld

\* Other connection standard, consult factory.

#### Port Selection

**VDV48UBS - PC - PC - PC - 1 - 2 - 3 - 4 - 5 - P**

#### Materials

S: 316L

#### Valve1 Actuator

- M: manual actuator
- PC: pneumatic actuator, normally closed

#### Valve2 Actuator

- M: manual actuator
- PC: pneumatic actuator, normally closed

#### Valve3 Actuator

- M: manual actuator
- PC: pneumatic actuator, normally closed

#### Process Specification

- None: VS001B
- P: VS001A

\* For details, please refer to the appendix.

#### End Connection

- None: gauge (1/4" VFS fitting)
- IP: gauge (IFV4 fitting)
- PT: Pressure transducer

#### End Connection

- CGA: USA
- DIN: Germany
- BSP: British
- GB: China
- JIS: Japan
- UNI: Italy
- NF: French

### Ordering Example

**VDV48UBS - PC - PC - PC - CGA632 - FV4 - FV4 - FV4**

**1 - 2 - 3 - 4**



# Ultra High Purity Purging Block VDV48UC Series

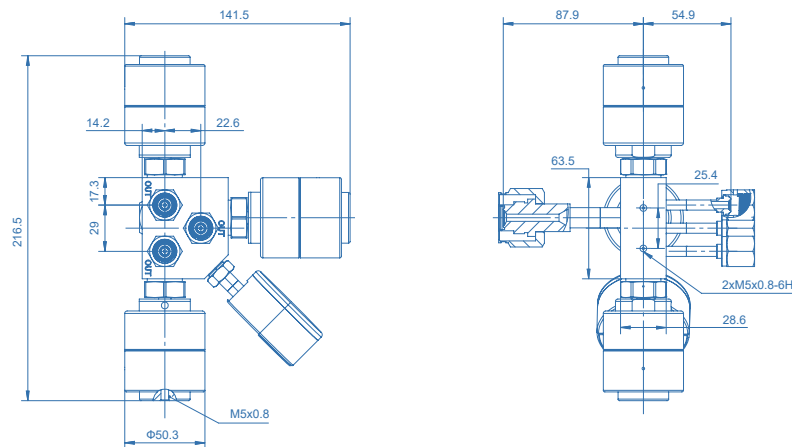
VIGOUR

## Product Feature

- Continuous gas purity during cylinder changeover
- Easy to operate (manual/pneumatic operation available)
- Process gas is isolated from the atmosphere
- Compact design
- No dead spaces inside
- Suitable for ultra-high purity gases



## Dimensions (mm)

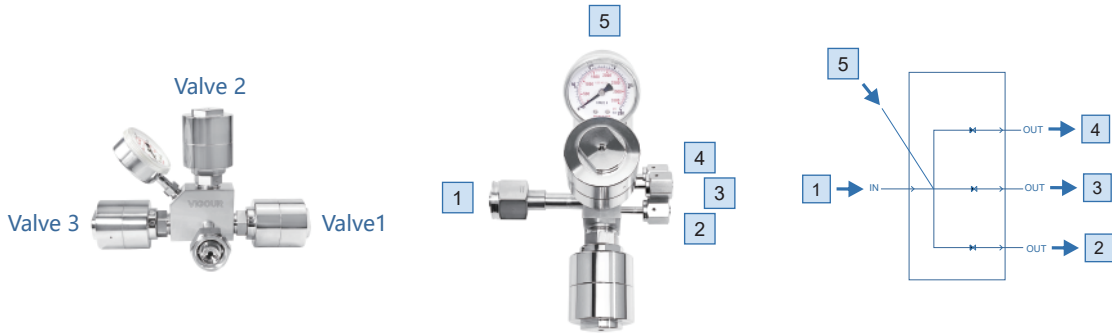


## Technical Data

Max. Working Pressure:	3000 psig (200 bar)
Actuation Pressure:	70~110psig (5~8bar)
Max. Working Temp.:	40°F ~ 160°F (-40°C ~ 71°C)
Surface finish:	10 $\mu$ m. Ra
Materials	
Body:	see ordering info
Diaphragm:	Elgiloy®
Seat packing:	PCTFE
Handle:	AL
Internal Leakage Allowance:	<1x10 <sup>-9</sup> mbar l/s He
External Leakage Allowance:	<1x10 <sup>-9</sup> mbar l/s He
Flow capacity:	Cv=0.1
Weight:	approx. 2.9kg (depending on connections or options)



### Ordering information



#### Inlet/Outlet Connection

- MV4: 1/4" VFS male
- FV4: 1/4" VFS female
- TW4: 1/4" tube weld

\* Other connection standard, consult factory.

#### Port Selection

**VDV48UCSLV - PC - PC - PC - 1 - 2 - 3 - 4 - 5 - P**

#### Materials

S: 316L secondary remelt

#### Valve1 Actuator

- M: manual actuator
- PC: pneumatic actuator, normally closed

#### Valve2 Actuator

- M: manual actuator
- PC: pneumatic actuator, normally closed

#### Valve3 Actuator

- M: manual actuator
- PC: pneumatic actuator, normally closed

#### Process Specification

P: VS001A  
\* For details, please refer to the appendix.

#### End Connection

- None: gauge (1/4" VFS fitting)
- IP: gauge (IFV4 fitting)
- PT: Pressure transducer

#### End Connection

- CGA: USA
- DIN: Germany
- BSP: British
- GB: China
- JIS: Japan
- UNI: Italy
- NF: French

### Ordering Example

**VDV48UCS - PC - PC - PC - CGA632 - FV4 - FV4 - FV4 - P**

**1 - 2 - 3 - 4**

