

## IGS Diaphragm Valves VID Series

### Product Features

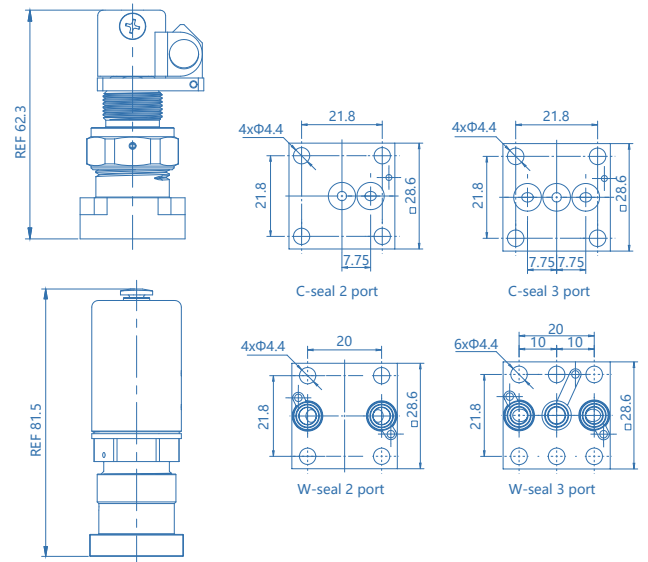
- W-seal and C-seal optional
- No dead end design
- The wet surface is treated with EP, Max. 5µin. Ra.
- Material: 316L VIM-VAR
- 100% Helium-leak-tested



### Technical Data

Max. Working Pressure:	150 psig
Max. Working Temp:	PCTFE 14°F~176°F(-10°C~80°C) PFA 14°F~302°F(-10°C~150°C)
Surface Finish:	Max. 5 µin. Ra
<b>Materials</b>	
Body:	316L VIM-VAR
Valve seat:	PCTFE (PFA / Vespel® optional)
Diaphragm:	Elgiloy®
Leak rate: (to atmosphere)	1x10 <sup>-9</sup> mbar l/s He
(via seat)	1x10 <sup>-9</sup> mbar l/s He
Flow Capacity:	Cv=0.1

### Dimensions (mm)



### Ordering Information

**VID - M - 2P - C 11 - VS**

#### Actuator

M: manual actuator  
PC: pneumatic actuator, normally closed



Customized Block Valve Manifolds,  
Designed and manufactured according  
to customer requirements.

#### Valve Seat Option

None: PCTFE (standard)  
PA: PFA  
VS: Vespel®

#### Port Size

11: 1.125"  
15: 1.5"

#### Port type

C: C-seal  
W: W-seal

#### port Config

2P: 2 port  
3P: 3 port

