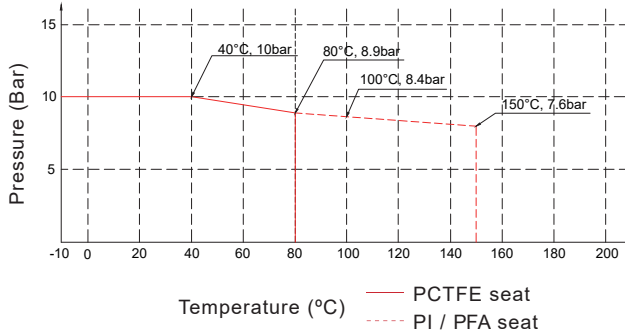


Product Feature

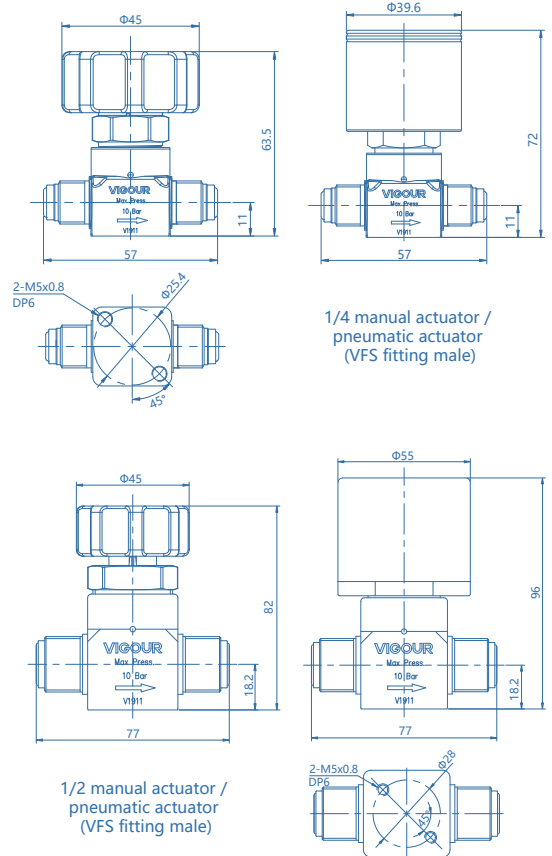
- Suitable for ultra-pure, flammable or toxic fluid lines in semiconductor manufacturing equipment and facilities
- Direct diaphragm construction with superior sealing performance, remarkable durability, compactness and particle and dead-space-free performance
- Valve open and closed position is easily visible at a glance
- EP treatment is standard for all wetted surfaces
- Standard seat material is PCTFE, Polyimide / PFA is option



Temperature / Pressure Rating



Dimensions (mm)



Technical Data

| | |
|-----------------------------|---|
| Max. Working Pressure: | 150 psig (10bar) |
| Actuation Pressure: | 58~87psig (4~6bar) |
| Max. Working Temp.: | 14°F ~ 176°F (-10°C ~ 80°C) |
| Surface finish: | 10µin. Ra |
| Materials | |
| Body: | see ordering info |
| Diaphragm: | Elgiloy® |
| Seat packing: | PCTFE |
| Handle: | AL |
| Internal Leakage Allowance: | 1x10 ⁻⁹ mbar-l/s He |
| External Leakage Allowance: | 1x10 ⁻⁹ mbar-l/s He |
| Flow capacity: | 1/4" Cv=0.3 1/2" Cv=0.65 |
| Weight: | approx. 0.36kg (depending on connections or options) |

Ordering information

VDV22UBS - M - MV4 - MV4 - PA - IS - P

Materials

S: 316L

Actuator

M: manual actuator

PO: pneumatic actuator, normally opened

PC: pneumatic actuator, normally closed

Valve Seat Option

None: PCTFE(standard)

VS: Vespel®

PA: PFA

End Connection

MV4: 1/4" VFS fitting male

MV8: 1/2" VFS fitting male

FV4: 1/4" VFS fitting female

FV8: 1/2" VFS fitting female

* Other connection standard, consult factory

Process Specification

None: VS001B

P: VS001A

* For details, please refer to the appendix.

Optional

None: Standard

IS: Switch Position Indicator

