

Panel & Line Regulator

VSR-3L & VSR-3LP Series

VIGOUR

Product Features

- Line and Panel mounting pressure regulator
- Brass chrome plated body and bonnet for inert, reactive, flammable and oxidizing gas and mixtures up to grade 6.0
- Stainless steel 316L body and bonnet for corrosive gases
- 4 ports flexible configuration
- Stable outlet pressure
- Simple outlet pressure limitation by handwheel
- Inlet filler
- Tested for use with oxygen



Typical Applications

- Component Testing
- Calibration Systems
- Laboratory Pressure Control
- High Pressure Sampling Systems
- Service & Test Equipment

VSR-3L

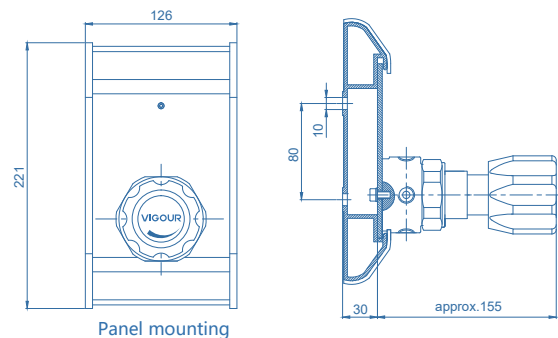
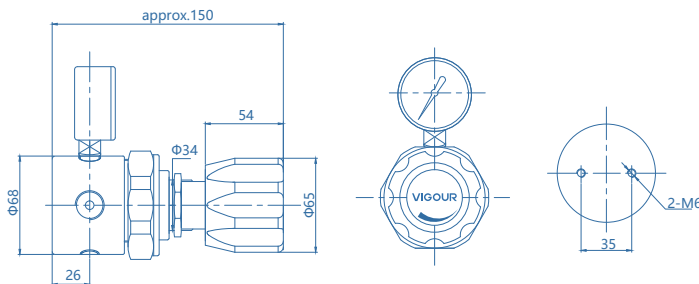


VSR-3LP



Mounting panel
Model No. : VSR-T-BPB

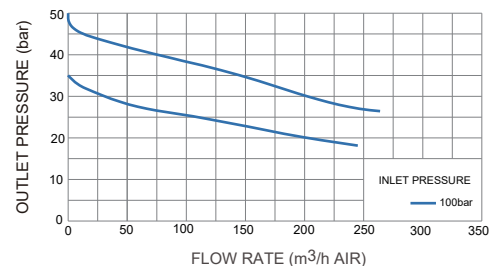
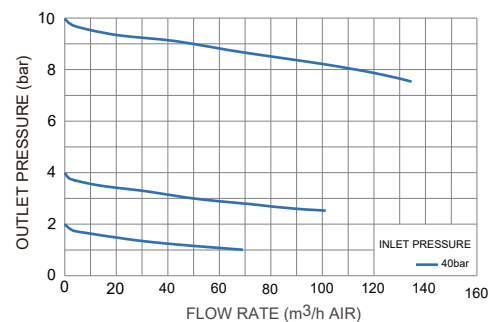
Dimensions (mm)



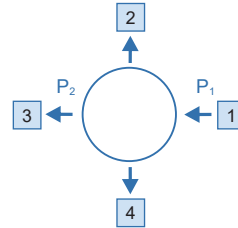
Technical Data

Type:	single-stage
Inlet pressure P1:	max. 100 bar
Outlet pressure P2:	1/2/4/8/10/20/35/50 bar
Materials	
Body regulator:	see ordering info
Valve seat:	PCTFE
Diaphragm:	Hastelloy® C276 PTFE+Neoprene (NP option)
O-ring:	Viton® (FKM)
(option)	Kalrez® (FFKM)
Filter:	SS 316L
Inlets and Outlets:	see ordering info
Temperature range:	-30°C to +74°C
Leak rate: (to atmosphere)	1x10 ⁻⁸ mbar l/s He
(Via seat)	1x10 ⁻⁶ mbar l/s He
Flow capacity:	Cv=1.0
Weight:	2.8kg

Flow Chart



Ordering Information



Inlets / Outlets

F4: 1/4" NPT(F)	08: 1/2" Tube fitting	P: Gauge (Psig/bar)
F6: 3/8" NPT(F)	12: 3/4" Tube fitting	B: Plug
F8: 1/2" NPT(F)	TW12M: 12mm Weld tube	
F12: 3/4" NPT(F)	TW20M: 20mm Weld tube	

* Other connection standard, consult factory.

Port Selection

VSR - 3L - S - 100 - 20 - 1 - 2 - 3 - 4 - NP - N₂

Type

L: Line
LP: panel mounting

Body Material

S: 316L
C: Chrome Plated Brass

Inlet Pressure P₁

10: 10 bar
40: 40 bar
100: 100 bar

Outlet Pressure P₂

1: to 1bar
2: to 2 bar
4: to 4 bar
8: to 8 bar
10: to 10 bar
20: to 20 bar
35: to 35 bar
50: to 50 bar

Type of Gas

Please specify type of gas

Diaphragm Option

None: Hastelloy® C276
NP: PTFE+Neoprene*

* Inlet pressure Max. 20bar,
Outlet pressure applies only:
1: to 1bar, 2: to 2 bar

Ordering Example

Example: VSR - 3L S - 100 - 4 - F8 - P - F8 - B - O₂



* For mixed gases, please specify cylinder connection standard and thread when ordering.

