

Cylinder Pressure Regulator

VSR-6E Series

VIGOUR

Product Features

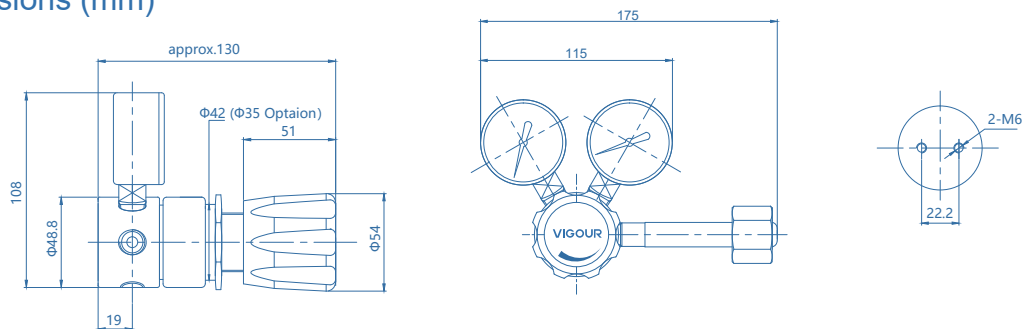
- Diaphragm design high pressure piston regulator
- Brass chrome plated body and bonnet for inert, reactive, flammable and oxidizing gas and mixtures up to grade 6.0
- Stainless steel 316L body and bonnet for corrosive gases
- 6 ports flexible configuration
- Stable outlet pressure
- Simple outlet pressure limitation by handwheel
- Inlet filter
- Tested for use with oxygen

Typical Applications

- Component Testing
- Calibration Systems
- Laboratory Pressure Control
- High Pressure Sampling Systems
- Service & Test Equipment



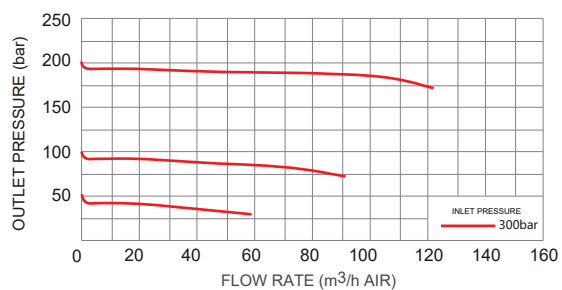
Dimensions (mm)



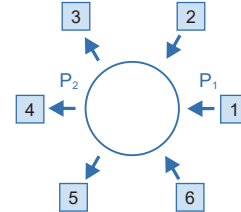
Technical Data

Type:	single-stage
Inlet pressure P1:	max. 300 bar
Outlet pressure P2:	50/100/200 bar
Materials	
Body regulator:	see ordering info
Valve seat:	PCTFE
Bonnet:	see ordering info
Diaphragm:	Hastelloy® C276
Filter:	SS 316L
O-ring:	Viton®(FKM)
(option)	Kalrez®(FFKM)
Inlets and Outlets:	1/4"NPT(F)
Temperature range:	-30°C to +74°C
Leak rate: (to atmosphere)	1x10 ⁻⁸ mbar l/s He
(Via seat)	1x10 ⁻⁶ mbar l/s He
Flow capacity:	Cv=0.07
Weight:	1.20kg

Flow Chart



Ordering Information



Inlets / Outlets

DIN: Germany
CGA: USA
BSP: British
GB: China
UNI: Italy

NF: French
JIS: Japan
F4: 1/4" NPT(F)
M4: 1/4" NPT(M)
O2: 1/8" Tube fitting

04: 1/4" Tube fitting
06: 3/8" Tube fitting
6M: 6mm Tube fitting
8M: 8mm Tube fitting

TW6M: 6mm Weld tube
TW8M: 8mm Weld tube
P: Gauge (Psig/bar)
B: Plug

* Other connection standard, consult factory.

Port Selection

VSR - 6EP S - 300 - 100 - 1 - 2 - 3 - 4 - 5 - 6 - N₂

Options

None: Standard mounting
P: Panel mounting

Body Material

S: 316L
C: Chrome plated brass

Inlet Pressure P₁

200: 200 bar
300: 300 bar

Outlet Pressure P₂

50: to 50 bar
100: to 100 bar
200: to 200 bar

Type of Gas

Please specify type of gas

Ordering Example

Example: VSR - 6EC - 200 - 100 - CGA - P - P - F4 - B - B - O₂



* For mixed gases, please specify cylinder connection standard and thread when ordering.

