

High Pressure Self-venting Regulator

VSR-8 Series

VIGOUR

Product Features

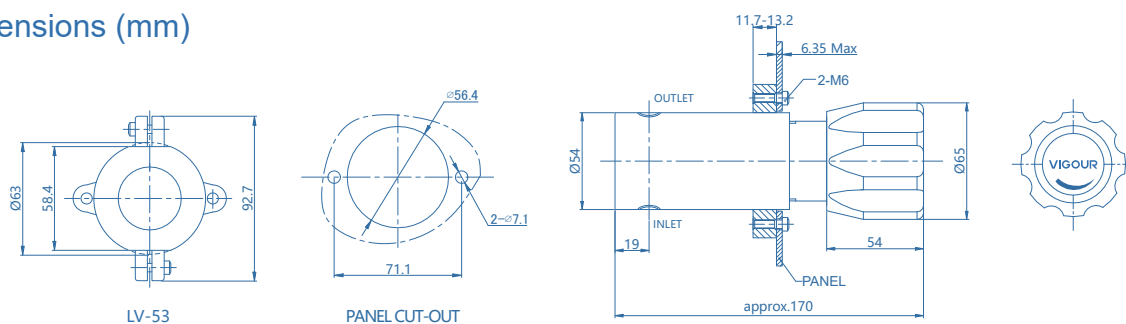
- Piston type high pressure regulator
- self-venting standard
- Stainless steel 316L body for pharmaceutical, food and beverage application
- 4 ports flexible configuration
- Stable outlet pressure
- Simple outlet pressure limitation by handwheel
- Inlet filter
- Tested for use with oxygen



Typical Applications

- Component Testing
- Calibration System
- Laboratory Pressure Control
- High Pressure Sampling System
- Service & Test Equipment

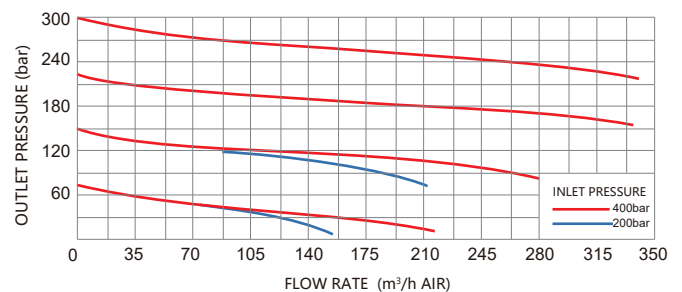
Dimensions (mm)



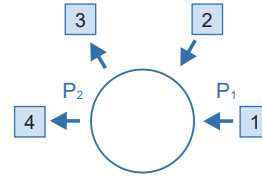
Technical Data

Type:	single-stage
Inlet pressure P1:	max. 400/700 bar
Outlet pressure P2:	35/50/100/200//300/400 bar
Materials	
Body regulator, relief valve:	see ordering info
Main valve seat:	Vespel®
Vent valve seat:	PCTFE
Piston:	SS 316L
O-ring:	Viton® (FKM)
(option)	Kalrez®(FFKM)
Filter:	SS 316L
Inlets and Outlets:	1/4" NPT (F)
Temperature range:	-30°C to +74°C
Leak rate:	Bubble-tight
Flow capacity:	Cv=0.06
Weight:	2.20kg

Flow Chart

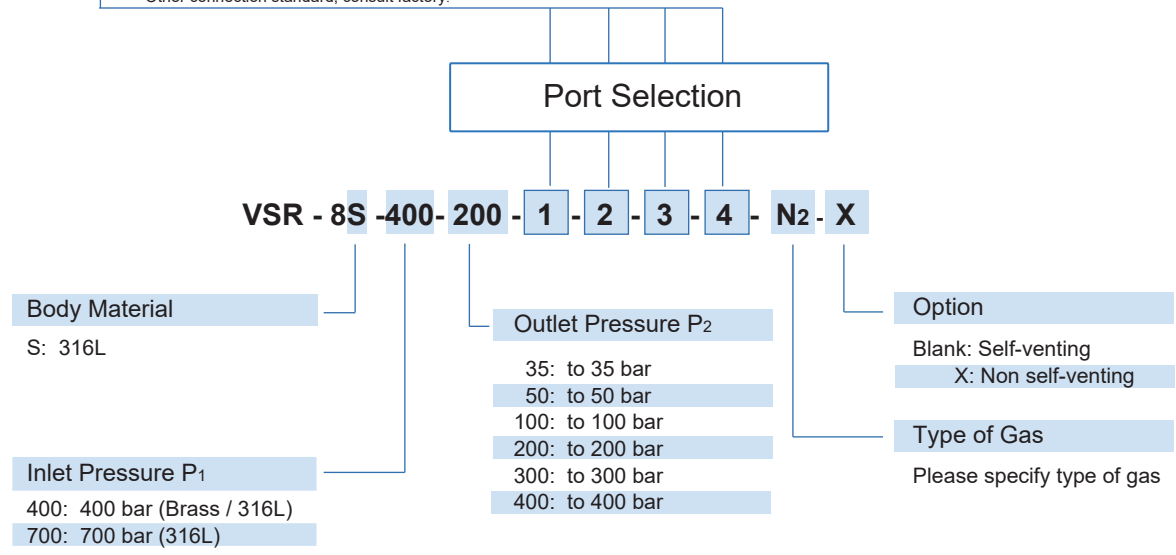


Ordering Information



Inlets / Outlets		
F4: 1/4"NPT(F)	6M: 6mm Tube fitting	P: Gauge (Psig/bar)
M4: 1/4"NPT(M)	8M: 8mm Tube fitting	B: Plug
02: 1/8"Tube fitting	TW6M: 6mm Weld tube	
04: 1/4"Tube fitting	TW8M: 8mm Weld tube	
06: 3/8"Tube fitting		

* Other connection standard, consult factory.



Ordering Example

Example: VSR - 8S - 400 - 200 - F4 - F4 - F4 - F4 - N2 - X

1 - 2 - 3 - 4



* For mixed gases, please specify cylinder connection standard and thread when ordering.

